

### FEATURED MODEL

**157-038-CR** BLANCOMAX™ With Pull-Down Spray in Polished Chrome

### ADDITIONAL MODELS

**157-038-ST** Stainless (Satin Nickel)

### FEATURES

- Solid brass body
- Ceramic disc cartridge
- Reversible mounting hardware adapts to thick or thin mounting surfaces
- 2.2 G.P.M. flow rate
- Installation in a 1-3/8" hole
- Double spiral flexible pull-down spray hose

### CODE/STANDARDS COMPLIANCE

ASME A112.18.1-2005  
 IAPMO Listed

### WARRANTY

Blanco America's Kitchen faucets feature a "NO HASSLE" LIMITED LIFETIME WARRANTY to be free of all manufacturing defects under normal use. See our complete warranty for details.

While Blanco America endeavors to provide accurate information, all dimensions are nominal, cannot be guaranteed, and are subject to change or cancellation. Blanco America assumes no responsibility for use of superseded or voided specifications.

### PRODUCT SPECIFICATION

Kitchen faucet to include solid brass body, cross-handles, hi-arc spout and pull-down spray. Faucet dimensions to be as follows: Reach: 8-1/2"; Spout Height: 6-7/8". Reversible mounting hardware to adapt to thick or thin mounting surfaces. Kitchen faucet to be BLANCOMAX™ with pull-down spray, Model 157-038-\_\_\_\_\_in\_\_\_\_\_finish.

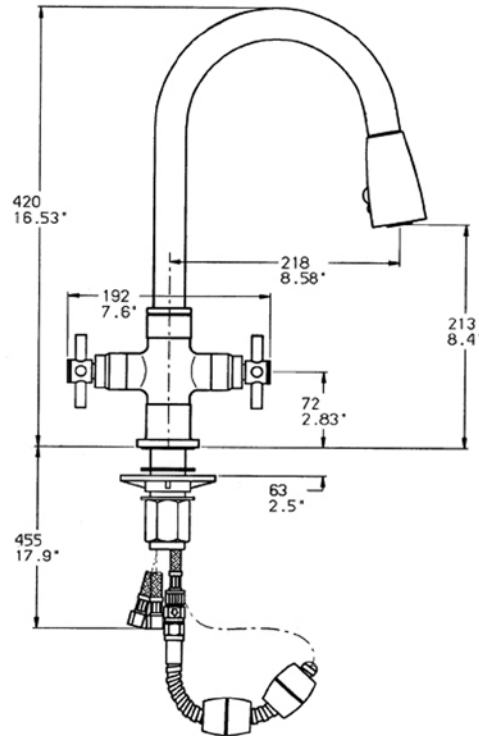
- Polished Chrome 157-038-CR
- Stainless (Satin Nickel) 157-038-ST



MODEL 157-038

### NOMINAL DIMENSIONS

MODEL	REACH	SPOUT HEIGHT	FAUCET HEIGHT
157-038	8-1/2	6-7/8	15



See next page for exploded parts drawing and parts list.

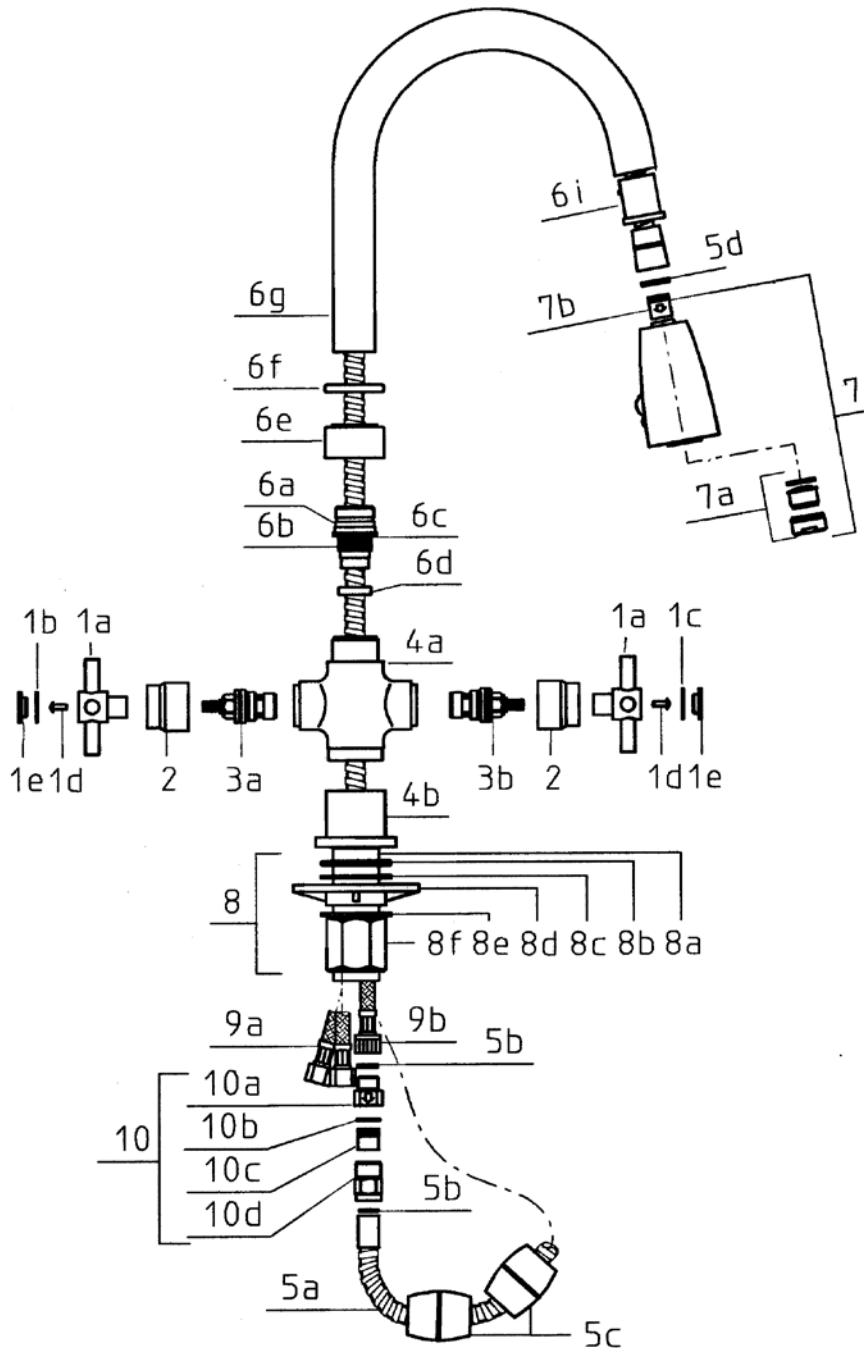
### JOB INFORMATION

Job Name: \_\_\_\_\_  
 Contact: \_\_\_\_\_  
 Date Specified: \_\_\_\_\_  
 Specifier: \_\_\_\_\_  
 Contractor: \_\_\_\_\_

**BLANCO AMERICA**  
**800.451.5782**  
**www.blancoamerica.com**

### BLANCOMAX™ With Pull-Down Spray

### MODEL 157-038



NUM.	PART #	DESCRIPTION
1A	1645	LEVER ASSY
1B	1648	RING
1C	1649	RING
1D	2312	SCREW
1E	1647	BUTTON
2	1644	COVER
3A	3615	HOT CARTRIDGE LEFT
3B	3614	COLD CARTRIDGE RIGHT
4A	3692	BODY
4B	3693	BASE
5A	2266	HOSE
5B	13.7x10x1.5	FIBER WASHER
5C	2582	COUNTER WEIGHT
5D	3353	WASHER SCREEN
6A	3696	NIPPLE
6B	3657	TEFLON RING
6C	2.62x17.13	O-RING
6D	3660	TEFLON RING
6E	3694	NUT
6F	3695	RING
6G	3396	SPOUT
6I	3391	PLASTIC INSERT
7	3301	PULL DOWN SPRAY
7A	1-680	AERATOR SET
7B	1318	CHECK VALVE
8	1-2359	MOUNTING NUT ASSY
8A	3779	MOUNTING SLEEVE
8B	3.53X42.86	O-RING
8C	48X34X2	RUBBER WASHER
8D	3109	PLASTIC BASE
8E	2258	METAL WASHER
8F	2359	NUT
9A	2350	HOSE
9B	2360	SUPPLY TUBE
10	1-3115	CHECK VALVE ASSY
10A	3116	NIPPLE
10B	16.5x12x1.5	FIBER WASHER
10C	2419	CHECK VALVE
10D	3115	CHECK VALVE BODY